

# LUMICHRON TOWER CLOCKS

42" DIAMETER & SMALLER  
GLASS CRYSTAL COVERING, SEMI-FLUSH MOUNT

Lumichron Tower clocks typically feature a fully enclosed case with a back-lit dial which is either open-face (48" and larger) or protected by tempered glass (42" and smaller). The clocks are installed either on the surface or recessed into the wall and are provided with fully automatic time controls for hands-free operation. A large clock may be installed either on a free-standing, dedicated tower, or on a wall, outside or indoors.

## ▲ BENEFITS OF A TOWER CLOCK

A large clock is a public service and a venerable, traditional feature attraction to any building. A clock adds importance and comfort – people appreciate knowing the time and everybody loves a nice big clock!

## ▲ INSTALLATION

All Lumichron tower clocks are built fully assembled, ready to install. Typically with new construction openings are provided in the wall so the clock can be recessed. Service access is either through the back if fully accessible or through the front. On existing construction, the clocks are surface-mounted with just the wires fed through the wall.

## ▲ STANDARD FEATURES

- All-aluminum cabinet construction, powder coated in stock architectural finishes
- All clocks are built-to-order to be configured for your application easily
- Fully enclosed construction, self-contained with the illumination, completely assembled, ready-to-install
- Long-life IP 66 rated sign-grade LED's in a variety of white color temperatures (k)
- Screened vent and drain holes for proper ventilation and drainage
- Unbreakable sign-grade UV Protected polycarbonate translucent dials
- Tempered glass crystals for haze-free life-span (≤ 42")
- Heavy-duty impulse-drive 24v clock motors
- Fully automatic time controls (resets for DST changes and power interruptions) with optional GPS synchronization for hands-free operation
- Customizable dial designs
- Stock sizes with glass covering the dials 24"-42" in 6" increments
- Open-face sized-to-order, with no practical limit

## ▲ CONSIDERATIONS WHEN ORDERING

- Height from grade for size (what looks good on scale drawings should in reality)
- Service access (through front or through back)
- Provisions to fit into an opening, either semi-flush or fully inset-mounted
- Dimensions we use for size are outside of the case (not face size)

FOR PRICING, CSI SPECIFICATIONS, ETC., PLEASE CALL OR EMAIL

11460 Dorsett Rd., Maryland Heights, MO 63043

Tel: (616) 245-8888 Email: [sales@lumichron.com](mailto:sales@lumichron.com)

[lumichron.com](http://lumichron.com)



### CRAFTSMANSHIP

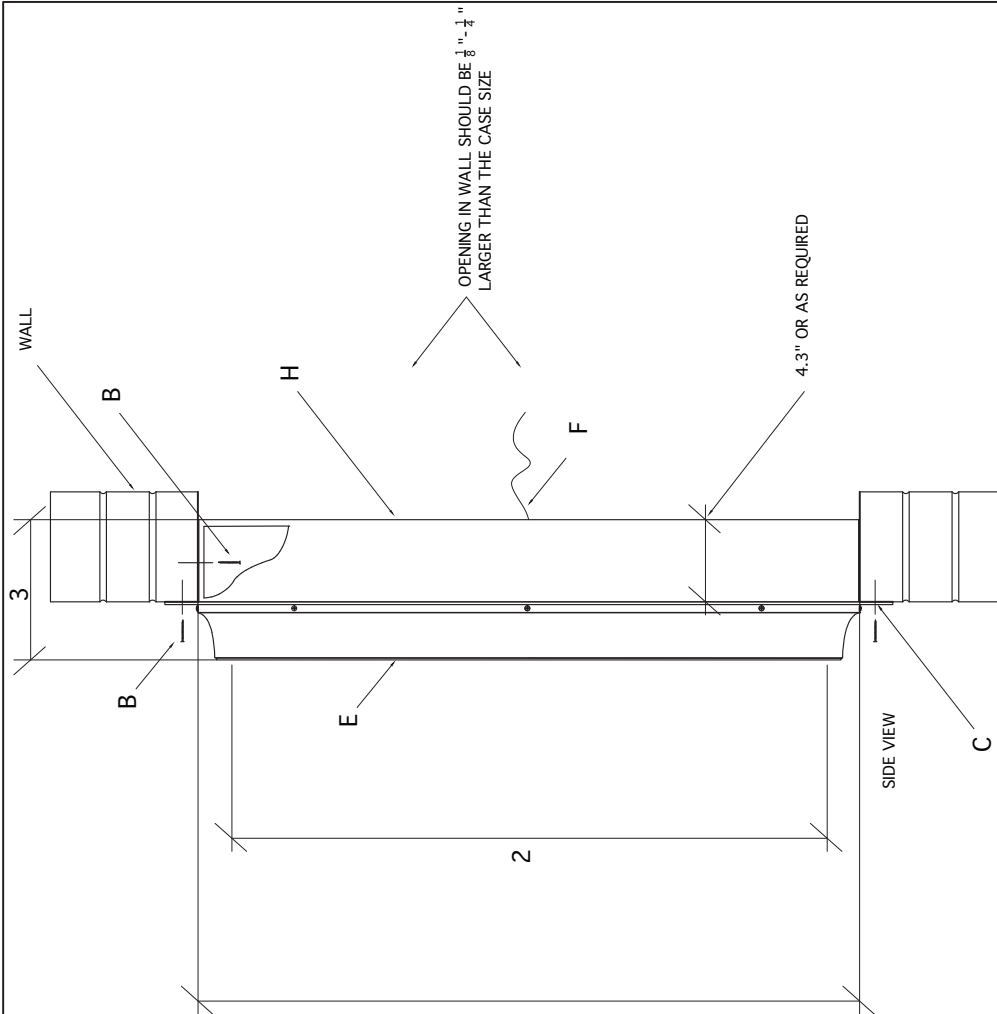
Every clock is built-to-order, by people passionate about the craft of building time for clients. Always personal, always on-time, and always on-budget.

### TRADITION

From old world Roman style to contemporary modern, an analog clock is a notable feature bringing importance and comfort to the building

### TECHNOLOGY

All clocks are digitally controlled, synchronized with GPS or NTP for accuracy



DIMENSIONS		24" CLOCK	30" CLOCK	36" CLOCK	42" CLOCK
1	CASE DIAMETER	24"	30"	36"	42"
2	FACE OPENING	21 1/2"	27"	33"	39"
3	CASE DEPTH	7"	7"	7"	7"
ORDERING KEY		AA-BB-CC-DD (SHOWN): SF-30-STD. ROMAN/ROMAN SPADE*-BLACK			
AA	MODEL NUMBER	SF			
BB	SIZE	SEE DIMENSIONS (30" SHOWN)			
CC	DIAL/HAND	SEE SEPARATE SELECTION PAGES*			
DD	COLOR	BLACK (DEFAULT), BRONZE, SILVER, GREY, SPEC.			

SCALE:	DATE:	DRAWN:	CHECKED:
N/A			

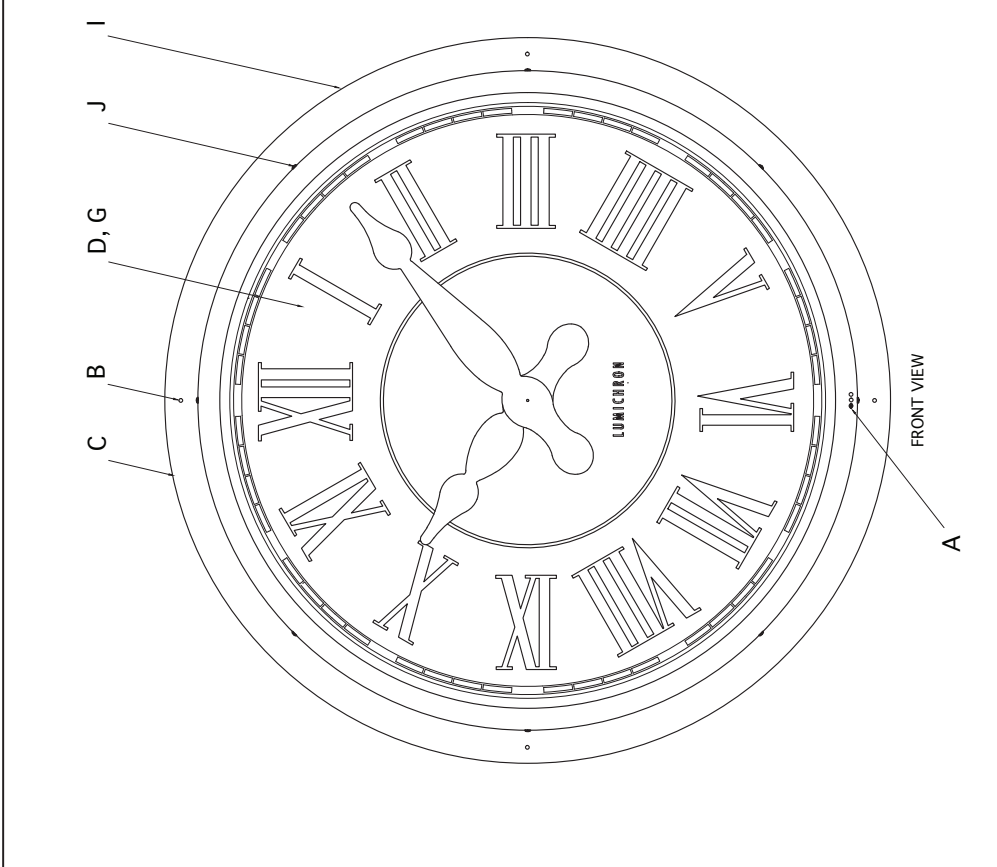
**TITLE:**  
CASE CLOCK, SEMI-FLUSH MOUNTED,  
42" & SMALLER

**DRAWING NO:**

**REVISION:**

**SALES@LUMICHRON.COM**

11460 Dorsett Rd., Maryland Heights, MO, 63043  
(616) 245-8888



FEATURES	DESCRIPTION
A	ALL-ALUMINUM CASE, SCREENED VENT AND DRAIN HOLES
B	4 MOUNTING HOLES, FURNISHED WITH 4 2-1/2" #10 SCREWS, ALTERNATE FASTENING THROUGH INSIDE OF CASE, SMALLER FLANGE AND NO HOLES
C	1-1/2" FLANGE FOR MOUNTING
D	ILLUMINATION (SEE WIRE DIAGRAM), BACK-LIT WITH WHITE 100,000 HR SIGN-GRADE LED'S (SPECIFY COLOR TEMPERATURE AS NEEDED)
E	TEMPERED GLASS CRYSTAL PROTECTING THE DIAL AND HANDS
F	1- 18 / 4 CABLE TO CONNECT TO MASTER CLOCK CONTROLLER: 2 - 24V LED POWER, 2 - 24V IMPULSE FOR CLOCK MOVEMENT
G	TRANSLUCENT WHITE SIGN-GRADE, UV PROTECTED, POLYCARBONATE DIAL FULLY-ENCLOSED, ALL-ALUMINUM CASE
H	ARCHITECTURAL GRADE POWDER COATING
I	STAINLESS STEEL FASTENERS THROUGHOUT