

LUMICHRON CLOCK TOWERS

Clock towers from Lumichron are a collaboration effort between Lumichron and Icon Shelters of Holland, Michigan (IconShelters.com). All are fully designed-to-order, engineered and stamped for site specific locations in the USA. Many stock designs to choose from, but easily customizable.

▲ BENEFITS OF A CLOCK TOWER

The clock tower is the focal point of a large land or streetscape environment and, as such, is the marquee feature from which other elements tie-in. A Lumichron clock tower is a landmark structure and enjoyed by all.

▲ INSTALLATION

All Lumichron Clock Towers are shipped to the site, ready-to-assemble by certified contractors per territory of Icon Shelters. Careful coordination between other trades, engineering staff and Lumichron ensure a smooth installation.

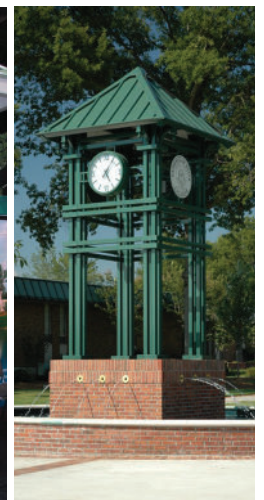
▲ STANDARD FEATURES

- All-steel construction, welded and shipped ready to bolt together on-site
- Powder coated in architectural grade material, in a full range of stock colors
- Clocks are per design with many dial/hand selections
- Fully automatic, GPS synchronized clock controls for hands-free exact time display
- Completely engineered and stamped drawings for site location

▲ CONSIDERATIONS WHEN ORDERING

- Determine how the structure fits in to the land/streetscape environment
- Height and clock size for viewing distance
- Power availability

FOR PRICING, CSI SPECIFICATIONS, ETC., PLEASE CALL OR EMAIL



CRAFTSMANSHIP

Every clock is built-to-order, by people passionate about the craft of building time for clients. Always personal, always on-time, and always on-budget.

TRADITION

From old world Roman style to contemporary modern, an analog clock is a notable feature bringing importance and comfort to the building

TECHNOLOGY

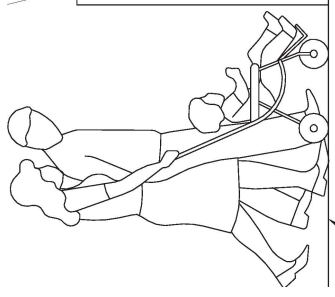
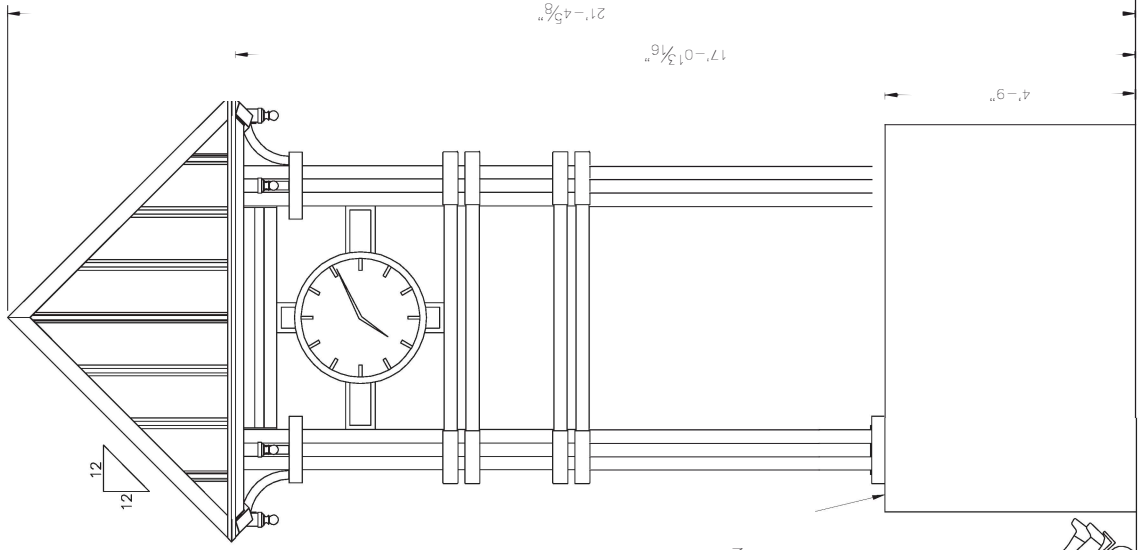
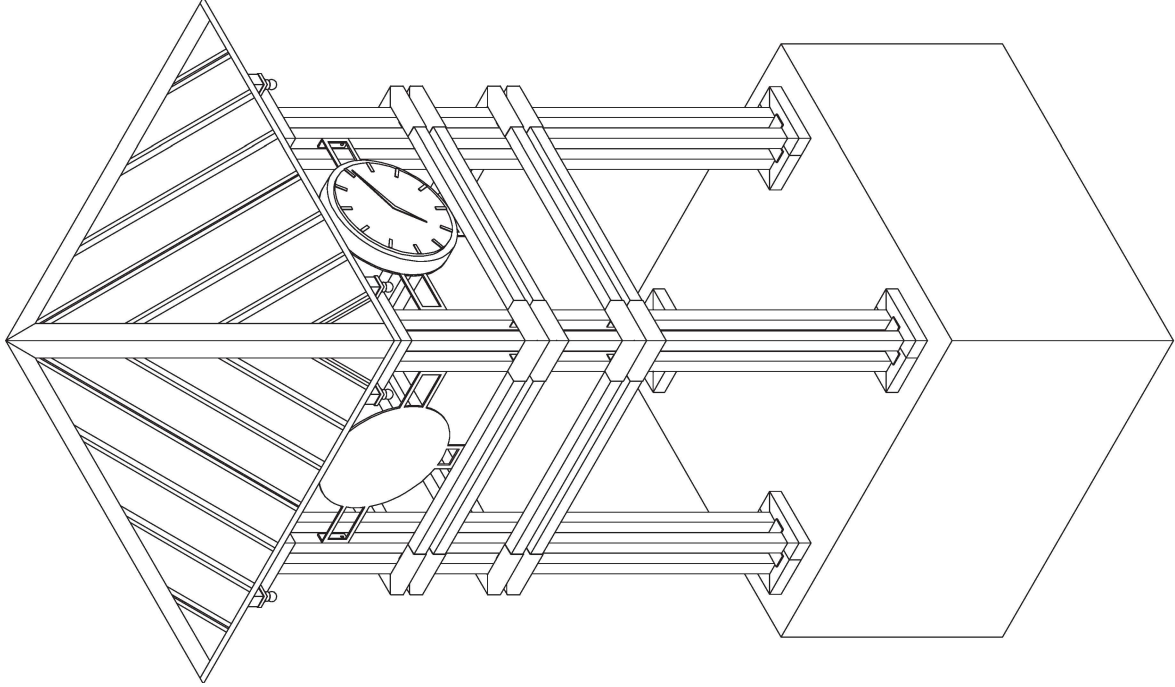
All clocks are digitally controlled, synchronized with GPS or NTP for accuracy

PROJECT NAME: TH7M-P16

DATE: 6/25/2008

DRAWN BY: BOB

Elevation



GRADE

BASE NOT BY CON

PRELIMINARY: NOT FOR CONSTRUCTION