

# LUMICHRON BRACKET CLOCKS

Lumichron bracket clocks feature a wall or ceiling mounted double-faced clock with internal LED illumination and fully automatic, hands-free time controls. Standard sizes in 6" increments 18" to 42" in Modern styles of a fixed size 30" diameter Victorian with a header panel.

## ▲ BENEFITS OF BRACKET CLOCKS

Commonly used where space on a sidewalk is not usable, these clocks mount above a store-front and project out as a useful 'attraction' or are used in a common area indoors and suspend from a ceiling such as a station lobby. Any transit facility can use a good, accurate bracket clock!

## ▲ INSTALLATION

All bracket clocks are either mounted on a wall or ceiling so provisions for such installation need to be taken into account. Each clock is made-to-order, so if mounting on a column, hollow wall, or ceiling, the clock will be designed for the correct application. All require a remote master clock with a low-voltage wired connection.

## ▲ STANDARD FEATURES

- All-aluminum cabinet construction, powder coated in stock architectural finishes
- Tempered glass crystals for haze-free lifespan
- Fully automatic time controls with optional GPS synchronization
- Internal illumination with 100,000 hr sign-grade LED's
- Customizable dial designs with header panel options if needed
- Modern styles in 6" increments from 18" to 42" (30" is most popular)
- A standard Victorian bracket clock with a 30" OD head with header panel, projects 48" overall and is 48" overall height
- Options for building into a custom sign, mounting on a corner, etc.

## ▲ CONSIDERATIONS WHEN ORDERING

- Height from grade
- Wiring connections (a wire has to feed through the wall/ceiling)
- Wall/ceiling construction for anchors/bolts, etc.
- If power is not available, self-setting GPS synchronized industrial movements powered by 5 year DD lithium batteries are available



### CRAFTSMANSHIP

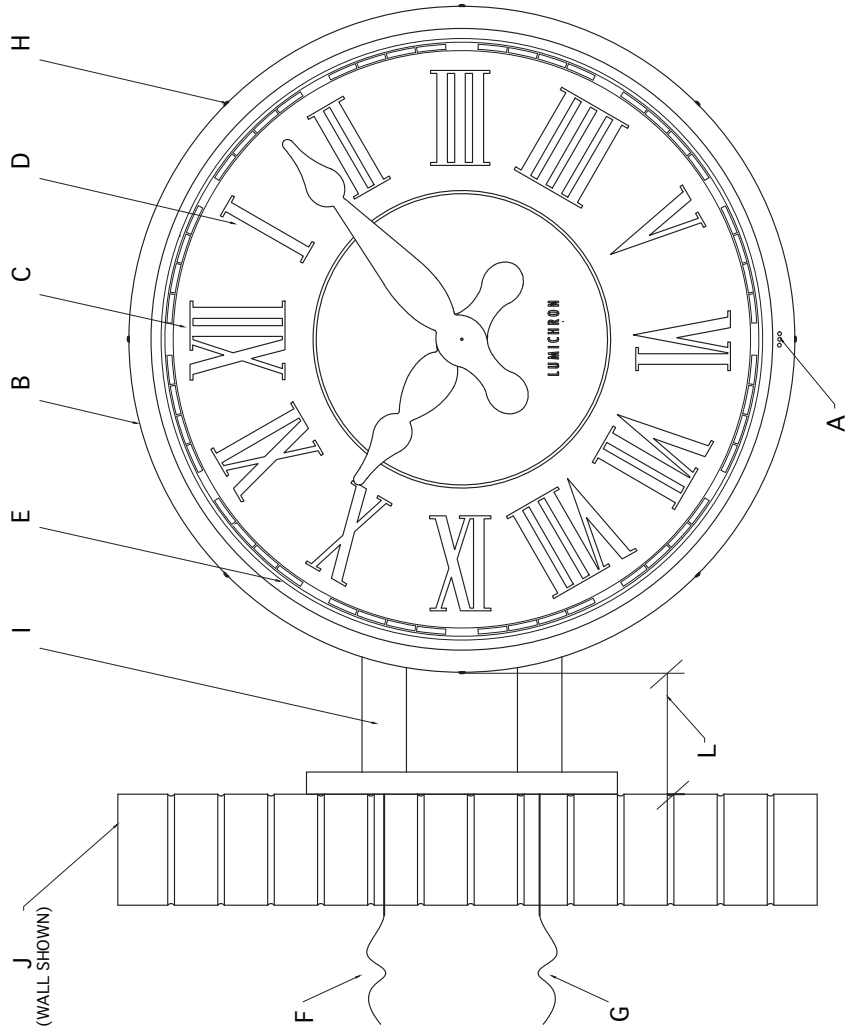
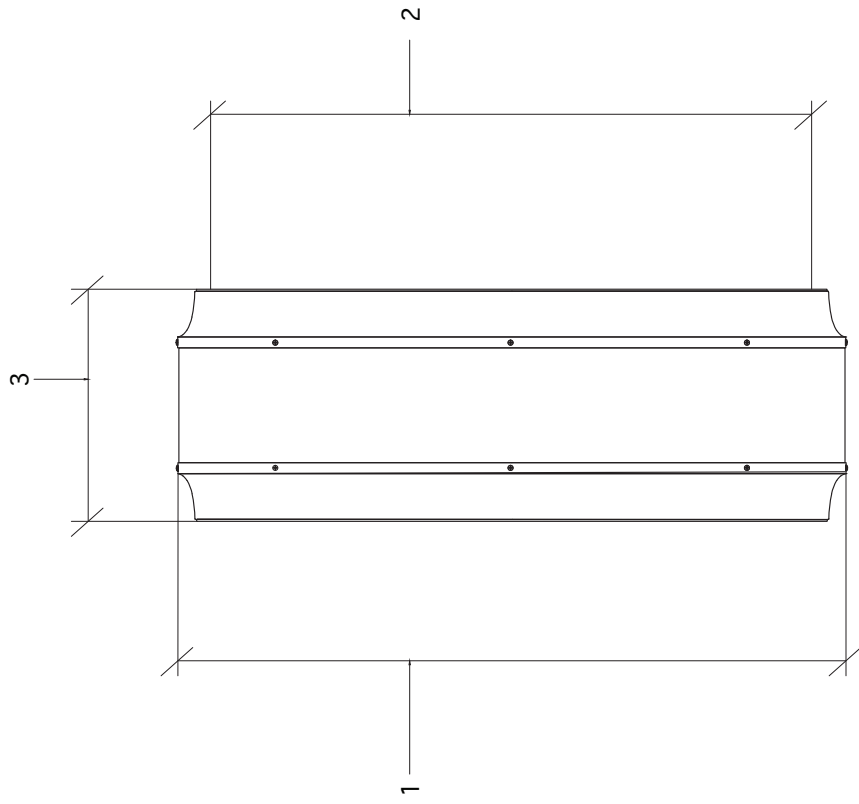
Every clock is built-to-order, by people passionate about the craft of building time for clients. Always personal, always on-time, and always on-budget.

### TRADITION

From old world Roman style to contemporary modern, an analog clock is a notable feature bringing importance and comfort to the building

### TECHNOLOGY

All clocks are digitally controlled, synchronized with GPS or NTP for accuracy



DIMENSIONS		24" CLOCK	30" CLOCK	36" CLOCK	42" CLOCK
BB	1 CASE DIAMETER	24"	30"	36"	42"
	2 FACE OPENING	21 1/2"	27"	33"	39"
	3 CASE WIDTH	11"	11"	11"	11"
SPECIFICATION KEY					
AA	MODEL NUMBER	MO. NUMBER - SIZE - PROJECTION - DIAL/HAND-COLOR (SHOWN): BR-30-6-STD. ROMAN/ROMAN SPADE*-BLACK			
BB	SIZE	SEE CONFIGURATIONS (BR SHOWN)			
CC	PROJECTION DISTANCE	SEE DIMENSIONS (30" SHOWN)			
DD	DIAL/HAND	SEE CONFIGURATIONS (6" SHOWN)			
EE	COLOR	SEE SEPARATE SELECTION PAGE*			
		BLACK (DEFAULT), BRONZE, SILVER, GREY, SPEC.			

SPECIFICATIONS	
A	ALL-ALUMINUM CASE, SCREENED VENT AND DRAIN HOLES
B	ARCHITECTURAL GRADE POWDER COATING
C	BACK-LIT DIALS WITH 100,000 HR SIGN-GRADE LED'S
D	UNBREAKABLE SIGN-GRADE (UV PROTECTED) POLYCARBONATE DIALS
E	TEMPERED GLASS CRYSTALS PROTECTING THE DIALS AND HANDS
F	24 POWER FOR IMPULSE DRIVE 24V SLAVE CLOCK MOVEMENTS (SEE WIRE DIAGRAM)
G	ILLUMINATION (SEE WIRE DIAGRAM)
H	STAINLESS STEEL FASTENERS THROUGHOUT
CONFIGURATIONS	
I	BR-BRACKET, SU-SUSPENDED, PD-PEDESTAL, DOUBLE-FACED, IN SIZES 24", 30", 36", OR 42" (OD)
J	WALL, CEILING, OR PEDESTAL
K	FULL CUSTOMIZATION AVAILABLE WITH HEADER/FOOTER PANELS, CORNER MOUNT, ETC
L	PROJECTION/DROP-DOWN/RISE TO BE SPECIFIED

TITLE: EXTERIOR DOUBLE FACED BRACKET CLOCK

SCALE: \_\_\_\_\_ DATE: \_\_\_\_\_ DRAWN: \_\_\_\_\_ CHECKED: \_\_\_\_\_

DRAWING NO: \_\_\_\_\_ REVISION: \_\_\_\_\_

AA

CC

LUMICHRON .COM

616-245-8888 SALES@LUMICHRON.COM